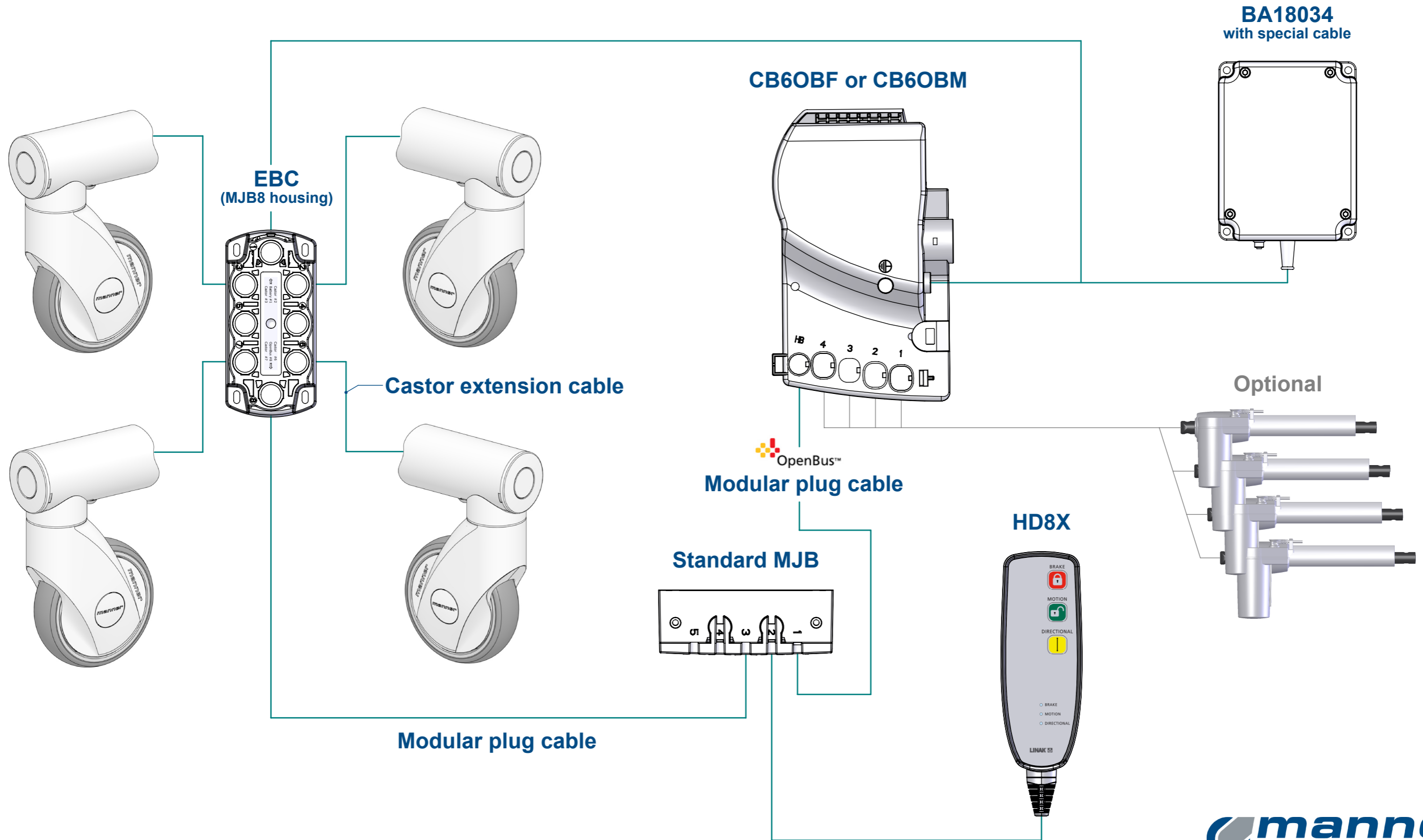




Electrical Brake Control

CB6S System Overview



CONTROL SYSTEM COMPONENTS

Control box CB6OBM

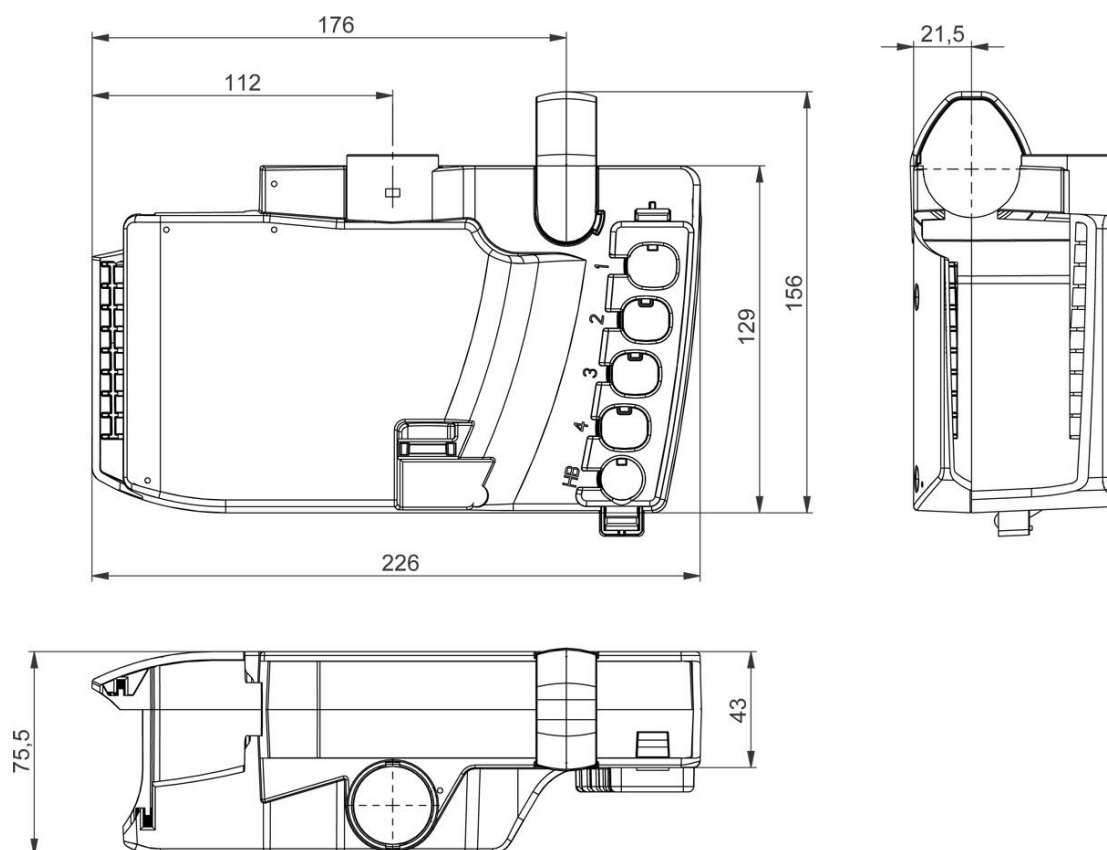
Model: *CB6S674+U4409*

Voltage input: 230V, 120V

Weight: 868g

Protection class: IPX6

Duty cycle: 10% - 2/18min. on/off at continuous use



Note: The CB6 control box has to be of type OBM (OpenBus Medium) or OBF (OpenBus Full) to work with the EBC (Electrical Brake Control) –system.



WARNING

No modification of this equipment is allowed.

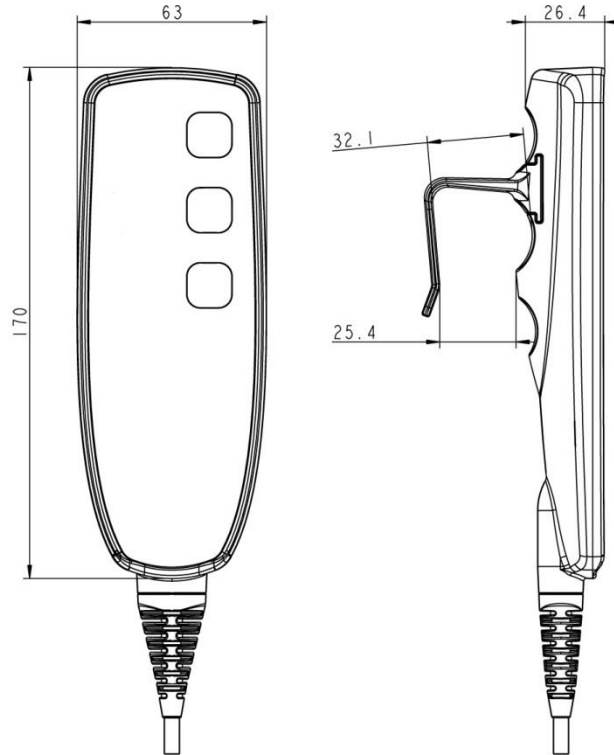
Handset HD8X

Model: *HD8X081-00*

Weight: 295g

Cable length: 600mm (spiral)

Protection class: IPX4



WARNING

No modification of this equipment is allowed.

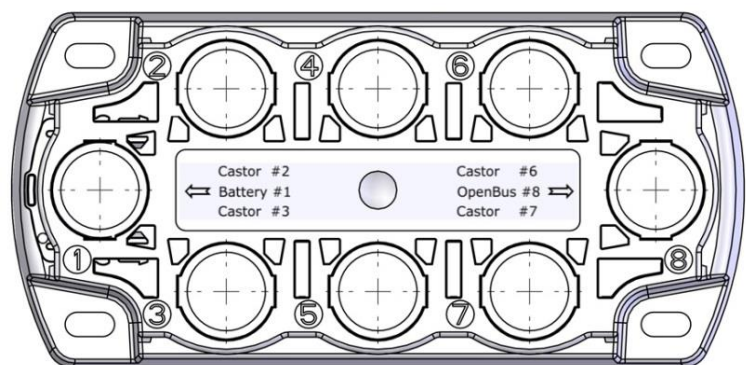
Control box for castors EBC

Model: *EBC002-00*

Voltage input: 24V AC

Weight: 225g

Protection class: IPX6

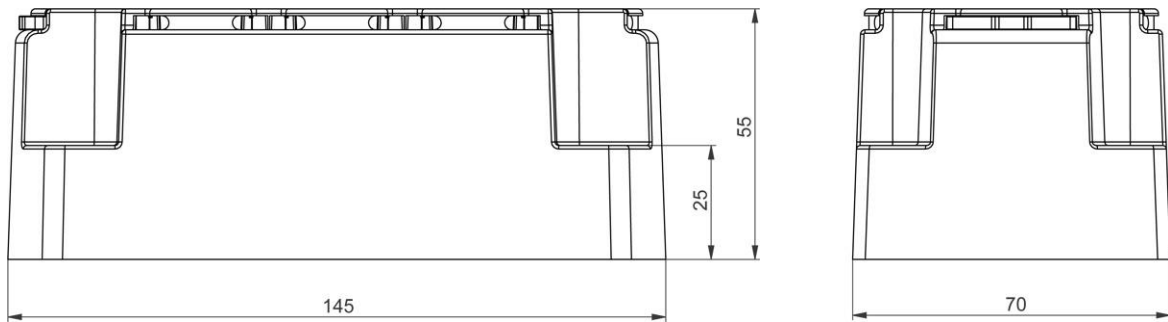


Motion sensor feedback – Auto-lock feature

Position feedback from each individual castor

Directional steering function

Protection class: IPX6



WARNING

No modification of this equipment is allowed.

Modular junction box MJB

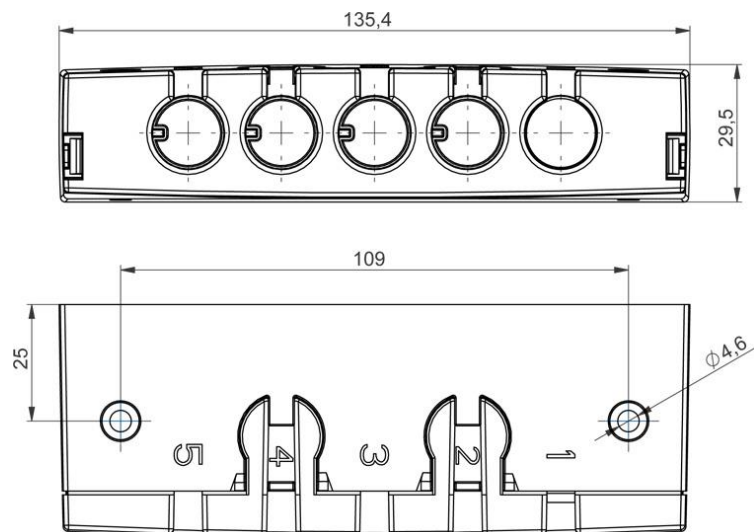
Model: *MJB0003000-1023*

Weight: 90g

Protection class: IPX6

Connections:

- Port 1 OpenBus
- Port2 Handset
- Port3 EBC



WARNING

No modification of this equipment is allowed.

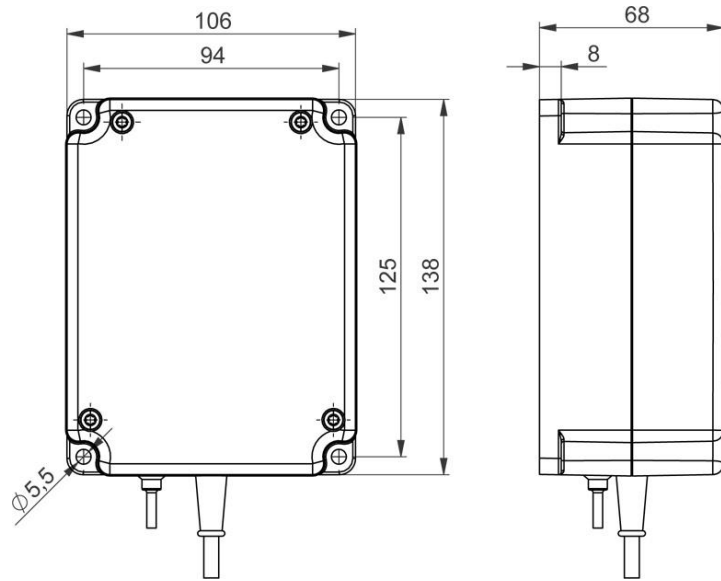
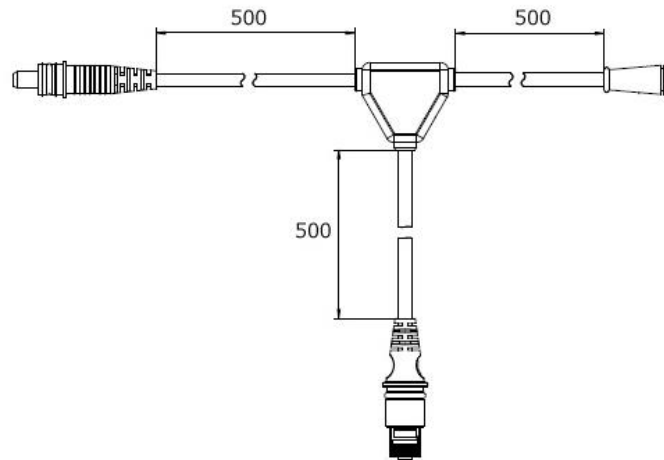
Battery BA18Model: *BA18034*

Battery capacity: 1.3Ah 24V

Weight: 1555g

Charging current max. 500mA

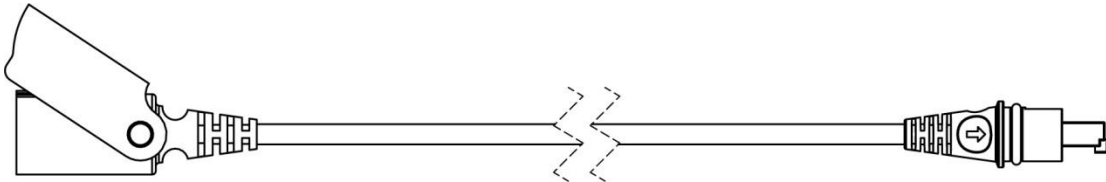
Protection class: IPX6

Includes cable *0964787* between EBC and CB6.**WARNING**

No modification of this equipment is allowed.

Castor extension cable

Model: 500mm
 1000mm
 1500mm
 2000mm

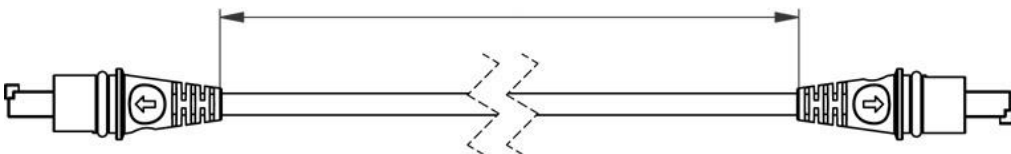


WARNING

No modification of this equipment is allowed.

Modular plug cable

Model: 0964424-0300 (300mm)
 0964424-0500 (500mm)
 0964424-1250 (1250mm)
 0964568-1600 (1600mm)
 0964568-2500 (2500mm)

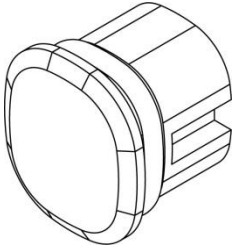


WARNING

No modification of this equipment is allowed.

Blind plug

Model: 0821008



CB6 blind plug

Model: 009271049-A

