

## 6.0 CONTROL SYSTEM COMPONENTS

### Control box

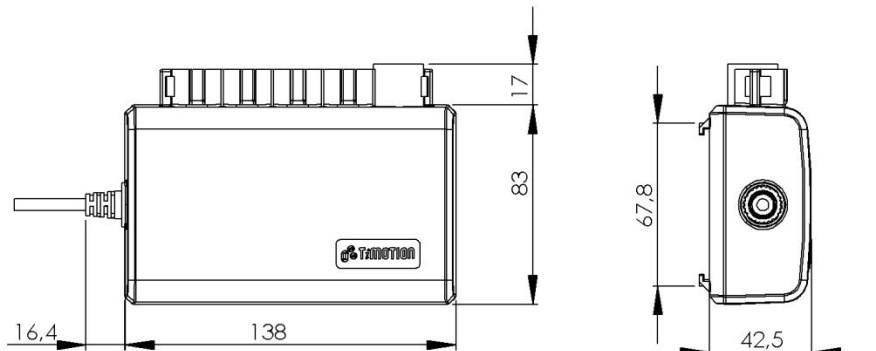
Model: *TC14*

Voltage input: max. 30V DC (6A)

Voltage output: 30V (6A)

Weight: 400g

Protection class: IPX6W



*Note:* The control box power supply cable is the main disconnect means.



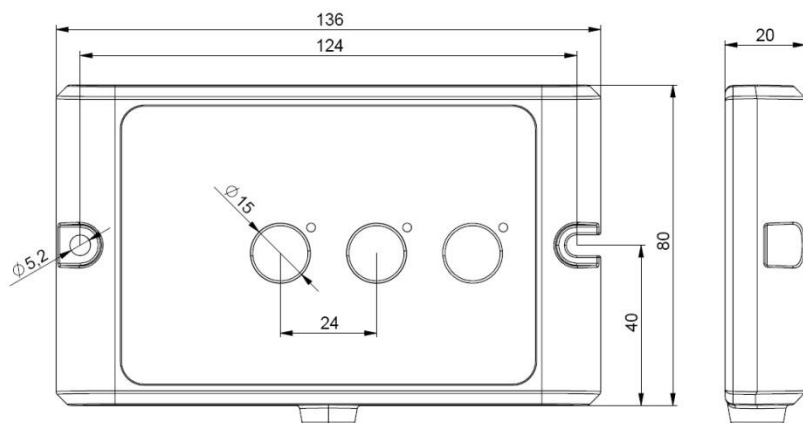
**CAUTION** No modification of this equipment is allowed. Modification will void the warranty.

### Control panel (nurse pad)

Model: *TNP3*

Weight: 170g

Protection class: IPX6W



**CAUTION** No modification of this equipment is allowed. Modification will void the warranty.

## Battery

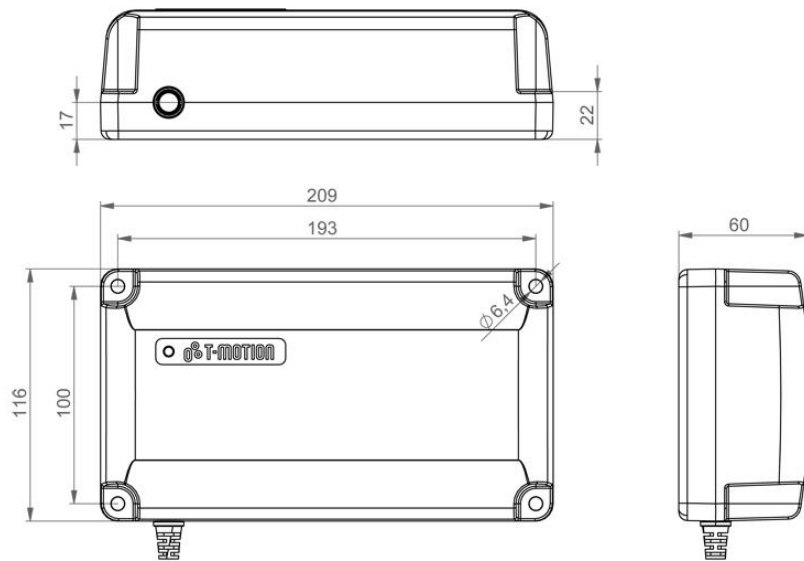
Model: *TBB*

Weight: 1950g

Battery capacity: 2.0Ah

Output: 24V, 2A

Protection class: IPX6W



### CAUTION

No modification of this equipment is allowed. Modification will void the warranty.

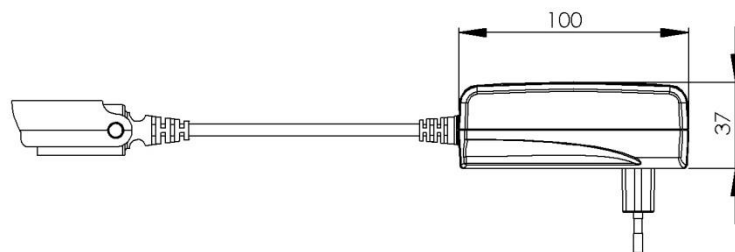
## Power supply

Model: *TP7*

Weight: 240g

Input: 100-240V~, 50/60Hz 1A

Maximum output: 29V DC, 1.5A



### CAUTION

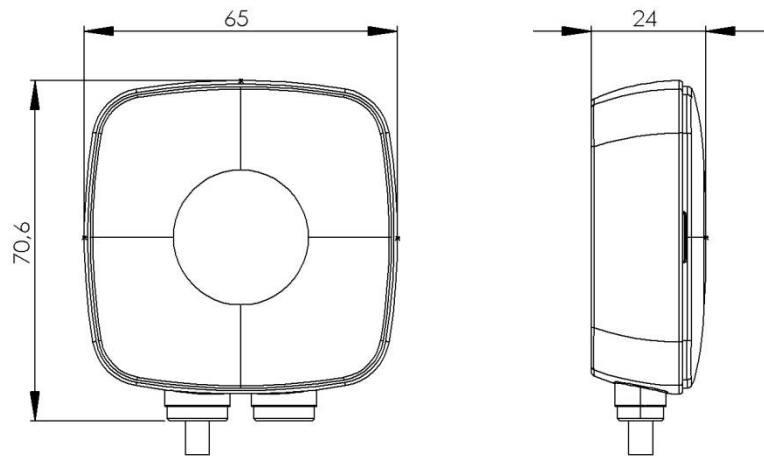
No modification of this equipment is allowed. Modification will void the warranty.

## Motion sensor

Model: *TSR1-A*

Weight: 85g

Protection class: IPX6



### CAUTION

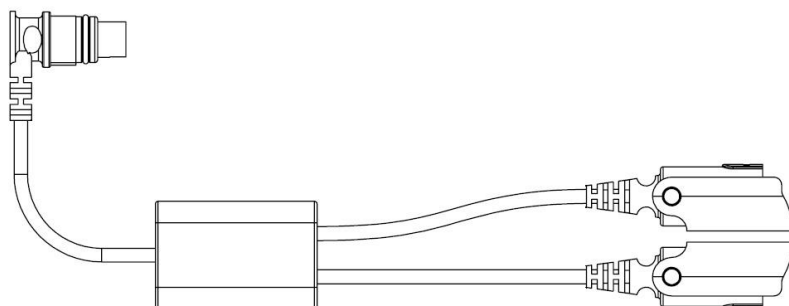
No modification of this equipment is allowed. Modification will void the warranty.

## Y-cable TC14

Model: *TYC*

Weight: 96g

Protection class: IPX6



### CAUTION

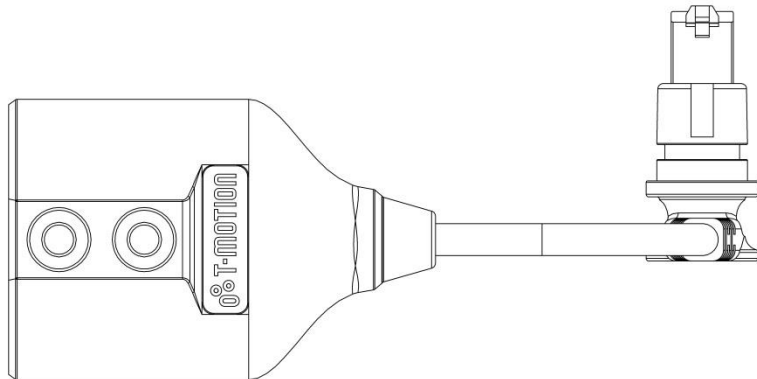
No modification of this equipment is allowed. Modification will void the warranty.

## Y-cable – TSR

Model: *TYC*

Weight: 96g

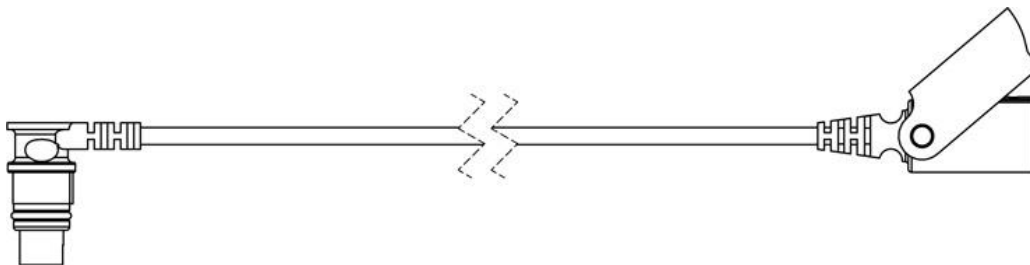
Protection class: IPX6



**CAUTION** No modification of this equipment is allowed. Modification will void the warranty.

## Extension cables 90°

Models:     *0,5m*  
              *1m*  
              *1,5m*  
              *2m*



**CAUTION** No modification of this equipment is allowed. Modification will void the warranty.