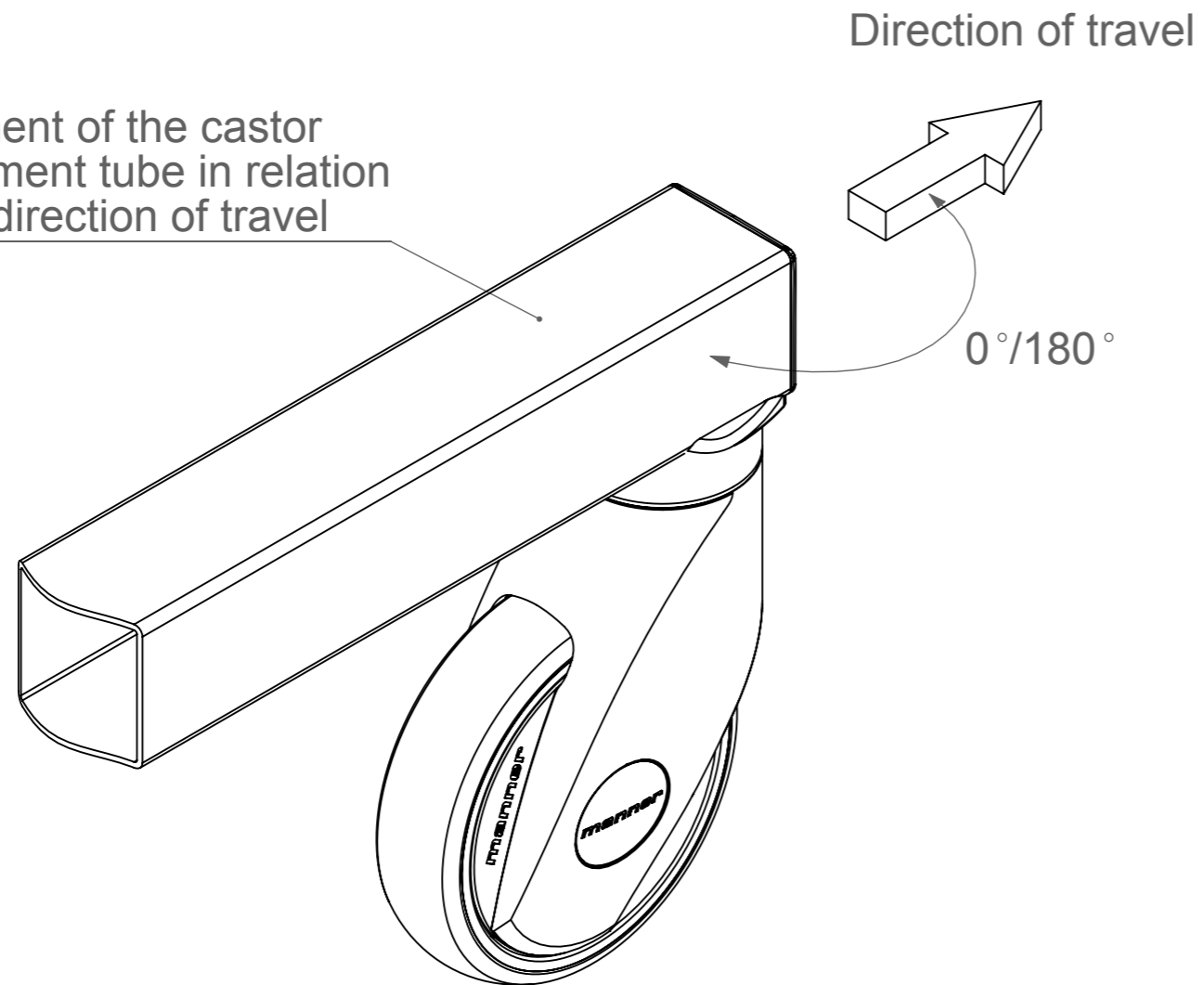


Options for the directional locking castor

Version 0°/180°

Alignment of the castor attachment tube in relation to the direction of travel



Version 90°/270°

